

CSUC04 - Circuit Sticker for 18-pin PIC on Solderless Breadboard With In-Circuit Programming

1. General Description

An image of the CSUC04 Circuit Sticker appears in Figure 1.

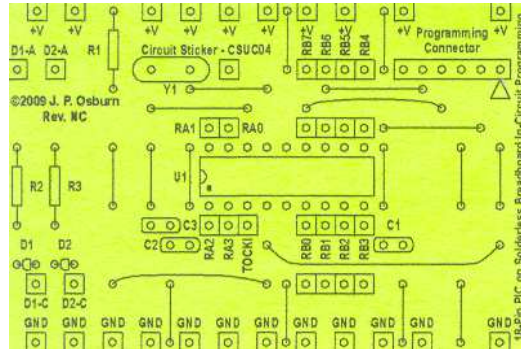


Figure 1 - CSUC04 Circuit Sticker

A photo of a CSUC04 Circuit Sticker in a typical application appears in Figure 2.

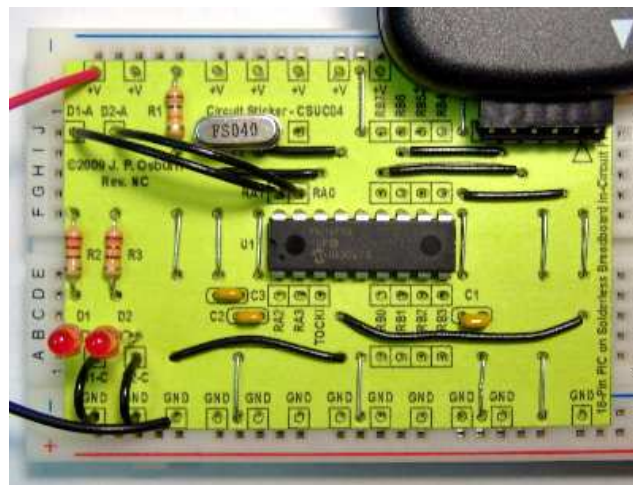


Figure 2 CSUC04 Typical Application

2. Features

- ◇ Provision for programming connector for in-circuit programming of PIC
- ◇ Two LEDs to monitor I/O bits
- ◇ Provision for crystal for microcontroller clock oscillator
- ◇ Circuit Sticker construction on solderless breadboard
- ◇ Circuit Stickers reduce the chance of error compared to building on plain board
- ◇ Circuit Stickers look better compare to plain board
- ◇ Circuit Stickers make it easier to do repairs compared to plain board

3. Applications

- ◇ 18-pin PIC applications built on solderless breadboard.
- ◇ Training and education

4. Schematic

A schematic of the CSUC04 Circuit Sticker appears in Figure 3.

5. Typical Application BOM

A bill of material for the typical application of the CSUC04 Circuit Sticker appears in Table 1..

Table 1 - CSUC04 Circuit Sticker Typical Application BOM

| Item | Quantity | Reference | Description |
|------|----------|-----------|-----------------|
| 1 | 1 | C1 | 0.1uF |
| 2 | 2 | C2, C3 | 15pF |
| 3 | 2 | D1, D2 | LED |
| 4 | 1 | R1 | 10k |
| 5 | 2 | R2,R3 | 220 ohms |
| 6 | 1 | U1 | PIC15F54 |
| 7 | 1 | Y1 | 4.0 MHz crystal |

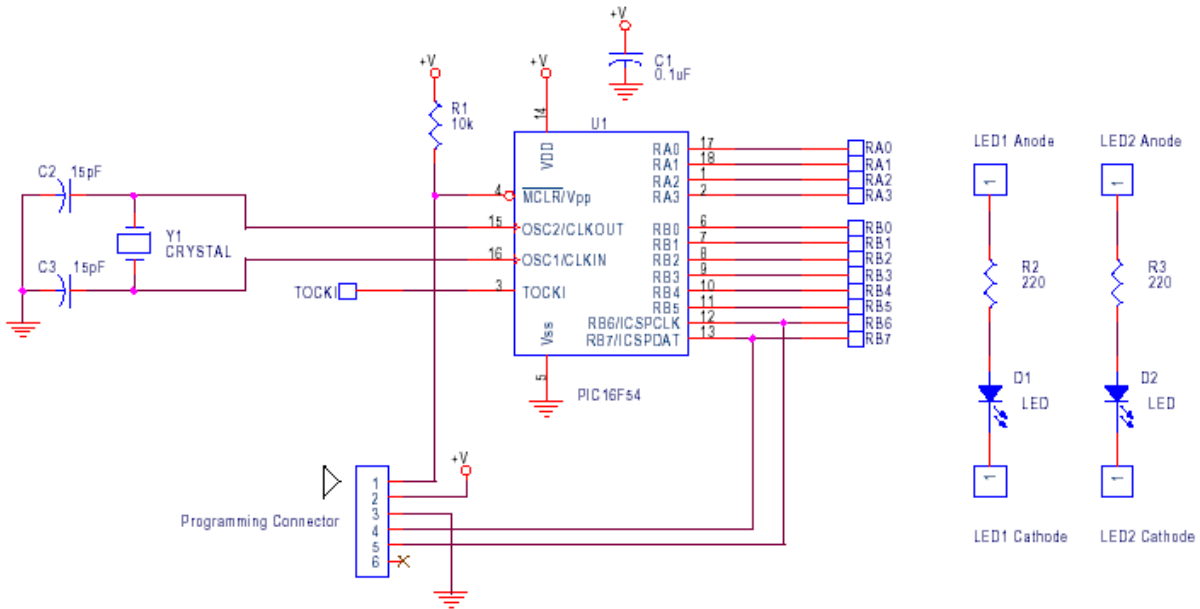


Figure 3 - CSUC04 Circuit Sticker Receiver Schematic